

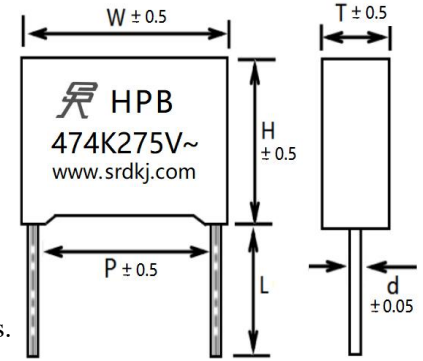
Metallized Polypropylene Film (THB moisture-proof series)

Structure

- Dielectric: Metallized Polypropylene film.
- Electrode: Special process metal vacuum evaporation layer.
- Encapsulate: Plastic case (UL94 V-0), Flame retardant epoxy resin sealing.

Typical Application

- Power supply series connection applications
- Capacitive Divider circuit applications, Mainly used in Electricity Meters, LED Driver Modules and occasions with high capacity stability requirements.



Characteristics

- Excellent self-healing performance, good performance in withstand surge voltage.
- Excellent capacitance stability in long-term overload condition, excellent moisture resistance.
- Excellent long-term capacity stability in harsh environments (such as high temperature and high humidity).

Conform to RoHS standards

Technical Parameter

Reference Standards	GB/T14579(IEC60384-17)	
Climatic Category	40/105/56	
Rated Temperature	85°C	
Operating Temperature Range	-40°C~105°C (+85°C to +105°C: decreasing factor 1.25% per °C for U _R)	
Rated Voltage	275VAC (50/60Hz) / 630VDC	
Capacitance Range	0.1μF ~ 10.0μF	
Capacitance Tolerance	J (±5%)、K (±10%)	
Voltage Proof	1.6U _R (Vdc) 5s	
Dissipation Factor	≤0.0010 (1kHz)	20°C, 1V
Insulation Resistance	C _R ≤0.33μF, R ≥25000 MΩ C _R >0.33μF, RC ≥7500S	20°C, 100VDC, 1min
THB test (Damp Heat Test with Loading)	Temperature:85°C ±2°C; Humidity:85%RH±2%RH Rated Voltage: 275/280/300/320VAC (50/60Hz) ; Duration:1000hrs (C _R ≥ 0.47μF); 168hrs (C _R < 0.47μF) Capacitance change(ΔC/C) : ≤10% Dissipation factor change(Δtag δ):≤0.5%(1Khz) Insulation resistance:≥50% of the Rated Value	
Note: Products capacitance can be customized. Details specific parameters are according to Approval Sheet.		

Metallized Polypropylene Film (THB moisture-proof series)

Part Number System

The 15 digits part number is formed as follow:

1 2 3 4 5 6 7 8 9 10 11 12 13 14 15

H P B 4 7 4 J 2 7 E 4 R 8 0 0

Digit 1 to 3	Series Code: HPB = CBB21B (THB)
Digit 4 to 6	Rated Capacitance Value: 474=47x10 ⁴ pF=0.47μF
Digit 7	Capacitance Tolerance: J=±5%、K=±10%、M= ±20%
Digit 8 to 9	A.C. Rated Voltage: 27=275Vac
Digit 10 to 11	Dimensions Code: See The Dimension Comparison Table
Digit 12	Color Code: R - Gray; X - Yellow
Digit 13	Lead-wire Diameter Code: 6=0.6、8=0.8、1=1.0
Digit 14 to 15	Internal Recognition Code

Dimensions (mm)

μF	Part Number	W	T	H	P	d
0.1	HPB104K27CGR600	12.5	6.2	15.5	10	0.6
0.1	HPB104K27C3R600	13	6	12	10	0.6
0.1	HPB104K27D2R800	18	6	12	15	0.8
0.12	HPB124K27CGR600	12.5	6.2	15.5	10	0.6
0.12	HPB124K27D2R800	18	6	12	15	0.8
0.15	HPB154K27CGR600	12.5	6.2	15.5	10	0.6
0.15	HPB154K27DDR800	17.5	6.2	15.5	15	0.8
0.18	HPB184K27CKR600	12.5	7.2	17.5	10	0.6
0.18	HPB184K27DDR800	17.5	6.2	15.5	15	0.8
0.22	HPB224K27CKR600	12.5	7.2	17.5	10	0.6
0.22	HPB224K27D4R800	18	8.4	14.5	15	0.8
0.22	HPB224K27DGR800	17.5	7.2	17.5	15	0.8
0.22	HPB224K27DDR800	17.5	6.2	15.5	15	0.8
0.27	HPB274K27CNR600	12.5	8.2	18.5	10	0.6
0.27	HPB274K27DGR800	17.5	7.2	17.5	15	0.8
0.33	HPB334K27CRR600	12.5	9.2	19.5	10	0.6
0.33	HPB334K27DKR800	17.5	8.2	18.5	15	0.8
0.33	HPB334K27DGR800	17.5	7.2	17.5	15	0.8
0.33	HPB334K27D4R800	18	8.4	14.5	15	0.8
0.33	HPB334K27E2R800	26.5	7	16.5	22.5	0.8
0.33	HPB334K27E3R800	26.5	8.5	17	22.5	0.8
0.39	HPB394K27DNR800	17.5	9.2	19.5	15	0.8
0.39	HPB394K27DKR800	17.5	8.2	18.5	15	0.8
0.39	HPB394K27E3R800	26.5	8.5	17	22.5	0.8
0.47	HPB474K27D8R800	18	11.2	19.2	15	0.8
0.47	HPB474K27D6R800	18	10	16	15	0.8
0.47	HPB474K27DKR800	17.5	8.2	18.5	15	0.8
0.47	HPB474K27E3R800	26.5	8.5	17	22.5	0.8
0.47	HPB474K27E4R800	26.5	10	19	22.5	0.8
0.56	HPB564K27DRR800	17.5	10.2	22.5	15	0.8
0.56	HPB564K27DNR800	17.5	9.2	19.5	15	0.8
0.56	HPB564K27E3R800	26.5	8.5	17	22.5	0.8
0.56	HPB564K27E4R800	26.5	10	19	22.5	0.8
0.68	HPB684K27DUR800	17.5	11.2	23.5	15	0.8
0.68	HPB684K27DRR800	17.5	10.2	22.5	15	0.8
0.68	HPB684K27D8R800	18	11.2	19.2	15	0.8
0.68	HPB684K27E4R800	26.5	10	19	22.5	0.8
0.68	HPB684K27E3R800	26.5	8.5	17	22.5	0.8

Metallized Polypropylene Film (THB moisture-proof series)

■ Dimensions (mm)

μF	Part Number	W	T	H	P	d	μF	Part Number	W	T	H	P	d
0.82	HPB824K27DUR800	17.5	11.2	23.5	15	0.8	3.3	HPB335K27F9R800	31.5	18	28	27.5	0.8
0.82	HPB824K27E4R800	26.5	10	19	22.5	0.8	3.3	HPB335K27F5R800	31.5	16	30	27.5	0.8
0.82	HPB824K27E5R800	26.5	11	20	22.5	0.8	3.3	HPB335K27S3R100	41.5	16	30	37.5	1.0
1.0	HPB105K27DXR800	17.5	12.2	24.5	15	0.8	3.3	HPB335K27S2R100	41.5	14	28	37.5	1.0
1.0	HPB105K27E4R800	26.5	10	19	22.5	0.8	3.5	HPB355K27F6R800	31.5	18	33	27.5	0.8
1.0	HPB105K27E5R800	26.5	11	20	22.5	0.8	3.5	HPB355K27F9R800	31.5	18	28	27.5	0.8
1.0	HPB105K27E6R800	26	12	21.5	22.5	0.8	3.5	HPB355K27S3R100	41.5	16	30	37.5	1.0
1.0	HPB105K27F1R800	31.5	10.8	19.5	27.5	0.8	3.5	HPB355K27S2R100	41.5	14	28	37.5	1.0
1.2	HPB125K27E6R800	26	12	21.5	22.5	0.8	3.9	HPB395K27F6R800	31.5	18	33	27.5	0.8
1.2	HPB125K27F2R800	31.5	13	21.5	27.5	0.8	3.9	HPB395K27S4R100	41.5	17	32	37.5	1.0
1.2	HPB125K27F1R800	31.5	10.8	19.5	27.5	0.8	3.9	HPB395K27S3R100	41.5	16	30	37.5	1.0
1.5	HPB155K27E7R800	26.5	13	23	22.5	0.8	4.0	HPB405K27F6R800	31.5	18	33	27.5	0.8
1.5	HPB155K27F3R800	31	14	25	27.5	0.8	4.0	HPB405K27S4R100	41.5	17	32	37.5	1.0
1.5	HPB155K27F2R800	31.5	13	21.5	27.5	0.8	4.0	HPB405K27S3R100	41.5	16	30	37.5	1.0
1.5	HPB155K27SOR100	41.5	11	22	37.5	1.0	4.5	HPB455K27F6R800	31.5	18	33	27.5	0.8
1.8	HPB185K27F2R800	31.5	13	21.5	27.5	0.8	4.5	HPB455K27S5R100	41.5	18.5	33.5	37.5	1.0
1.8	HPB185K27F3R800	31	14	25	27.5	0.8	4.5	HPB455K27S3R100	41.5	16	30	37.5	1.0
1.8	HPB185K27S1R100	41.5	12	26	37.5	1.0	4.7	HPB475K27F6R800	31.5	18	33	27.5	0.8
1.8	HPB185K27SOR100	41.5	11	22	37.5	1.0	4.7	HPB475K27S5R100	41.5	18.5	33.5	37.5	1.0
2.0	HPB205K27F3R800	31	14	25	27.5	0.8	4.7	HPB475K27S3R100	41.5	16	30	37.5	1.0
2.0	HPB205K27F4R800	31.5	16	25.5	27.5	0.8	5.0	HPB505K27F6R800	31.5	18	33	27.5	0.8
2.0	HPB205K27S1R100	41.5	12	26	37.5	1.0	5.0	HPB505K27S5R100	41.5	18.5	33.5	37.5	1.0
2.0	HPB205K27SOR100	41.5	11	22	37.5	1.0	5.0	HPB505K27S3R100	41.5	16	30	37.5	1.0
2.2	HPB225K27F5R800	31.5	16	30	27.5	0.8	5.6	HPB565K27S6R100	41.5	22	37	37.5	1.0
2.2	HPB225K27F3R800	31	14	25	27.5	0.8	5.6	HPB565K27S5R100	41.5	18.5	33.5	37.5	1.0
2.2	HPB225K27S2R100	41.5	14	28	37.5	1.0	6.0	HPB605K27S6R100	41.5	22	37	37.5	1.0
2.2	HPB225K27S1R100	41.5	12	26	37.5	1.0	6.0	HPB605K27S5R100	41.5	18.5	33.5	37.5	1.0
2.5	HPB255K27F5R800	31.5	16	30	27.5	0.8	6.8	HPB685K27S6R100	41.5	22	37	37.5	1.0
2.5	HPB255K27F4R800	31.5	16	25.5	27.5	0.8	6.8	HPB685K27S5R100	41.5	18.5	33.5	37.5	1.0
2.5	HPB255K27S2R100	41.5	14	28	37.5	1.0	7.0	HPB705K27S7R100	41.5	26	41	37.5	1.0
2.5	HPB255K27S1R100	41.5	12	26	37.5	1.0	7.0	HPB705K27S6R100	41.5	22	37	37.5	1.0
2.7	HPB275K27F9R800	31.5	18	28	27.5	0.8	7.5	HPB755K27S7R100	41.5	26	41	37.5	1.0
2.7	HPB275K27F4R800	31.5	16	25.5	27.5	0.8	7.5	HPB755K27S6R100	41.5	22	37	37.5	1.0
2.7	HPB275K27S2R100	41.5	14	28	37.5	1.0	8.0	HPB805K27S7R100	41.5	26	41	37.5	1.0
2.7	HPB275K27S1R100	41.5	12	26	37.5	1.0	8.0	HPB805K27S6R100	41.5	22	37	37.5	1.0
3.0	HPB305K27F6R800	31.5	18	33	27.5	0.8	8.2	HPB825K27S7R100	41.5	26	41	37.5	1.0
3.0	HPB305K27F4R800	31.5	16	25.5	27.5	0.8	8.2	HPB825K27S6R100	41.5	22	37	37.5	1.0
3.0	HPB305K27S3R100	41.5	16	30	37.5	1.0	9.0	HPB905K27S7R100	41.5	26	41	37.5	1.0
3.0	HPB305K27S2R100	41.5	14	28	37.5	1.0	9.0	HPB905K27S6R100	41.5	22	37	37.5	1.0
3.3	HPB335K27F6R800	31.5	18	33	27.5	0.8	10.0	HPB106K27S8R100	41.5	28	43	37.5	1.0