

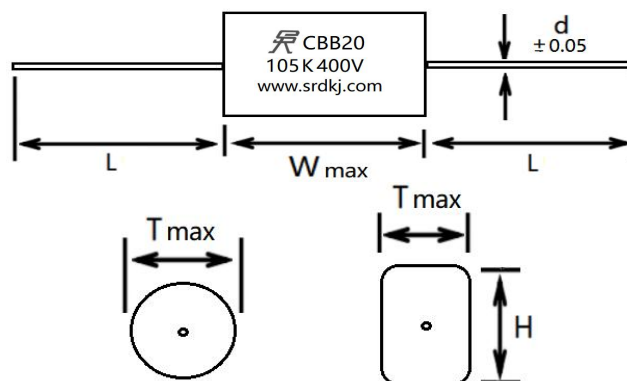
# MPA/MPT(CBB20A/CBB20T) Film Capacitors



## Metallized Polypropylene Film Capacitors-Axial

### ■ Structure

- Dielectric: Metallized Polypropylene film.
- Electrode: Special process metal vacuum evaporation layer.
- Encapsulate: Wrapped with insulating tape, and both ends filled with flame retardant epoxy resin.



### ■ Typical Application

- Filter and pulse high current occasions, such as Power Amplifier, Welding Machine, etc.

### ■ Characteristics

- Small size, good self-healing performance, low dissipation at high frequency, low temperature rise, high impact strength. Good withstand voltage performance at high frequency in AC occasion.

### ■ Conform to RoHS standards

### ■ Technical Parameter

Reference Standards	GB/T10190 (IEC 60384-16)	
Climatic Category	40/105/21	
Rated Temperature	85℃	
Operating Temperature Range	-40℃~105℃ (+85℃ to +105℃: Decreasing Factor 1.25% per °C for $U_R$ )	
Rated Voltage	250Vdc、400Vdc、630Vdc	
Capacitance Range	0.033μF ~ 18.0μF	
Capacitance Tolerance	J (±5%)、K (±10%)、M (±20%)	
Voltage Proof	1.6 $U_R$ (5s)	
Dissipation Factor	≤0.0010 (1kHz)	20℃, 1V
Insulation Resistance	$C_R \leq 0.33\mu F$ , $R \geq 25000 M\Omega$ $C_R > 0.33\mu F$ , $RC \geq 7500S$	$U_R \leq 500V$ , test voltage:100V $U_R > 500V$ , test voltage:500V (20℃, 1min)
Note: Products capacitance can be customized. Details specific parameters are according to Approval Sheet.		

# MPA/MPT(CBB20A/CBB20T) Film Capacitors



## Metallized Polypropylene Film Capacitors-Axial

### Part Number System

The 18 digits part number is formed as follow:

1	2	3	4	5	6	7	8	9	10	11	12	13	14	15	16	17	18
M	P	A	1	0	5	K	2	G	2	5	1	0	1	7	8	0	0

Digit 1 to 3	Series Code: MPA=CBB20A; MPT=CBB20T
Digit 4 to 6	Rated Capacitance Value: 105=10x10 <sup>5</sup> pF=1.0μF
Digit 7	Capacitance Tolerance: J=±5%; K=±10%; M= ±20%
Digit 8 to 9	D.C. Rated Voltage: 2E=250V; 2G=400V; 2J=630V
Digit 10 to 15	Dimensions Code: See The Dimension Comparison Table
Digit 16	Lead-wire Diameter Code: 6=0.6; 8=0.8
Digit 17 to 18	Internal Recognition Code

### Dimensions (mm) (Rated Voltage: 250V ) Flat Type

μ F	Part Number	W	T	H	d	μ F	Part Number	W	T	H	d
0.1	MPA104K2E150610600	15	6	10	0.6	0.82	MPA824K2E250816800	25	7.5	16	0.8
0.12	MPA124K2E150610600	15	6	10	0.6	1.0	MPA105K2E250815800	25	8.5	14.5	0.8
0.15	MPA154K2E150610600	15	6	10	0.6	1.5	MPA155K2E251018800	25	10	18	0.8
0.18	MPA184K2E150610600	15	6.5	10.5	0.6	1.8	MPA185K2E251119800	25	11	19	0.8
0.22	MPA224K2E150712600	15	7	11.5	0.6	2.2	MPA225K2E251321800	25	12.5	20.5	0.8
0.27	MPA274K2E150813600	15	8	12.5	0.6	2.2	MPA225K2E321018800	32	10	18	0.8
0.27	MPA274K2E200510600	20	5.5	9.5	0.6	2.7	MPA275K2E321119800	32	11.5	19.5	0.8
0.33	MPA334K2E200610600	20	6	10.5	0.6	3.3	MPA335K2E321321800	32	13	21	0.8
0.39	MPA394K2E200711800	20	7	11	0.8	3.9	MPA395K2E321422800	32	14	22	0.8
0.47	MPA474K2E200812800	20	7.5	11.5	0.8	4.7	MPA475K2E321624800	32	16	24	0.8
0.56	MPA564K2E200813800	20	8	13	0.8	5.6	MPA565K2E351624800	35	16	24	0.8
0.68	MPA684K2E200815800	20	8.5	14.5	0.8	6.8	MPA685K2E351826800	35	18	26	0.8
0.82	MPA824K2E200916800	20	9.5	16	0.8	8.2	MPA825K2E352028800	35	20	28	0.8
0.68	MPA684K2E250613800	25	6.5	13	0.8	10	MPA106K2E352230800	35	22.5	30.5	0.8
0.82	MPA824K2E250714800	25	7.5	13.5	0.8	12	MPA126K2E352434800	35	24	33.5	0.8
1.0	MPA105K2E250815800	25	8.5	14.5	0.8	15	MPA156K2E452332800	45	22.5	32	0.8
1.2	MPA125K2E250917800	25	8.5	16.5	0.8	18	MPA186K2E452535800	45	25	34.5	0.8

# MPA/MPT(CBB20A/CBB20T) Film Capacitors



## Metallized Polypropylene Film Capacitors-Axial

### ■ Dimensions (mm) (Rated Voltage: 400V ) Flat Type

μ F	Part Number	W	T	H	d	μ F	Part Number	W	T	H	d
0.1	MPA104K2G150610600	15	5.5	9.5	0.6	1.5	MPA155K2G251321800	25	13	21	0.8
0.12	MPA124K2G200408600	20	4.5	8.5	0.6	1.8	MPA185K2G321119800	32	11.5	19.5	0.8
0.15	MPA154K2G200509600	20	5	9	0.6	2.2	MPA225K2G321321800	32	13	21	0.8
0.18	MPA184K2G200509600	20	5.5	9.5	0.6	2.7	MPA275K2G351321800	35	13	21	0.8
0.22	MPA224K2G200610600	20	6.5	10.5	0.6	3.3	MPA335K2G351523800	35	15	22.5	0.8
0.27	MPA274K2G200712800	20	7	11.5	0.8	3.9	MPA395K2G351624800	35	16.5	24.5	0.8
0.33	MPA334K2G200813800	20	8	12.5	0.8	4.7	MPA475K2G351826800	35	18	26	0.8
0.39	MPA394K2G200913800	20	8.5	13.5	0.8	5.6	MPA565K2G352028800	35	20	28	0.8
0.47	MPA474K2G200915800	20	9	15.5	0.8	6.8	MPA685K2G352331800	35	22.5	30.5	0.8
0.56	MPA564K2G201016800	20	10	16.5	0.8	8.2	MPA825K2G352434800	35	24.5	34	0.8
0.68	MPA684K2G250815800	25	8.5	15	0.8	10	MPA106K2G502130800	50	21	30.5	0.8
0.82	MPA824K2G251016800	25	10	16	0.8	12	MPA126K2G502333800	50	23	32.5	0.8
1.0	MPA105K2G251017800	25	10.5	16.5	0.8	15	MPA156K2G502636800	50	26.5	36	0.8
1.2	MPA125K2G251119800	25	11.5	19.5	0.8	18	MPA186K2G502939800	50	29.5	39	0.8

### ■ Dimensions (mm) (Rated Voltage: 630V ) Flat Type

μ F	Part Number	W	T	H	d	μ F	Part Number	W	T	H	d
0.033	MPA333K2J150610600	15	5.5	9.5	0.6	0.56	MPA564K2J251216800	25	11.5	16.5	0.8
0.039	MPA393K2J150610600	15	6	10	0.6	0.68	MPA684K2J251318800	25	13	18	0.8
0.047	MPA473K2J150711600	15	7	11	0.6	0.82	MPA824K2J251419800	25	14.5	19	0.8
0.056	MPA563K2J150812600	15	7.5	11.5	0.6	1.0	MPA105K2J321119800	32	11.5	19.5	0.8
0.068	MPA683K2J150610600	15	5.5	9.5	0.6	1.2	MPA125K2J321321800	32	13	20.5	0.8
0.082	MPA823K2J150610600	15	6	10	0.6	1.5	MPA155K2J321422800	32	14	22	0.8
0.1	MPA104K2J200610600	20	6.5	10.5	0.6	1.8	MPA185K2J321624800	32	16	24	0.8
0.12	MPA124K2J200610600	20	6	10	0.6	2.2	MPA225K2J321826800	32	18	26	0.8
0.15	MPA154K2J200711800	20	7	11	0.8	2.7	MPA275K2J351826800	35	18	26	0.8
0.18	MPA184K2J200812800	20	7.5	11.5	0.8	3.0	MPA305K2J351826800	35	18	26	0.8
0.22	MPA224K2J200913800	20	8.5	12.5	0.8	4.7	MPA475K2J551826800	55	18	26	0.8
0.27	MPA274K2J201014800	20	10	14.5	0.8	6.8	MPA685K2J552230800	55	22.5	30.5	0.8
0.33	MPA334K2J201116800	20	11	16	0.8	8.2	MPA825K2J552533800	55	25	33	0.8
0.39	MPA394K2J250914800	25	9.5	14.5	0.8	10	MPA106K2J552836800	55	28	36	0.8
0.47	MPA474K2J250915800	25	10.5	15.5	0.8	12	MPA126K2J553139800	55	31	39	0.8

### ■ Dimensions (mm) (Rated Voltage: 250V ) Cylindrical Type

μ F	Part Number	W	T	d	μ F	Part Number	W	T	d
0.068	MPT683K2E150600600	15	6	0.6	0.27	MPT274K2E151100600	15	10.5	0.6
0.082	MPT823K2E150700600	15	6.5	0.6	0.33	MPT334K2E200900600	20	9	0.6
0.1	MPT104K2E150700600	15	7	0.6	0.39	MPT394K2E200900600	20	9.5	0.6
0.12	MPT124K2E150800600	15	7.5	0.6	0.47	MPT474K2E201000800	20	10.5	0.8
0.15	MPT154K2E150800600	15	8.5	0.6	0.56	MPT564K2E201100800	20	11	0.8
0.18	MPT184K2E150900600	15	9	0.6	0.68	MPT684K2E201200800	20	12	0.8
0.22	MPT224K2E151000600	15	10	0.6	0.82	MPT824K2E201300800	20	13	0.8

Note: Any questions related to the parameters using, please contact Sincerity.

www.sc-srdkj.com www.srdkj.com

# MPA/MPT(CBB20A/CBB20T) Film Capacitors



## Metallized Polypropylene Film Capacitors-Axial

### ■ Dimensions (mm) (Rated Voltage: 250V ) Cylindrical Type

μ F	Part Number	W	T	d	μ F	Part Number	W	T	d
1.0	MPT105K2E251200800	25	12	0.8	4.7	MPT475K2E322100800	32	20.5	0.8
1.2	MPT125K2E251300800	25	13	0.8	5.6	MPT565K2E352100800	35	20.5	0.8
1.5	MPT155K2E251400800	25	14.5	0.8	6.8	MPT685K2E352300800	35	22.5	0.8
1.8	MPT185K2E251600800	25	15.5	0.8	8.2	MPT825K2E352500800	35	25	0.8
2.2	MPT225K2E251700800	25	17	0.8	10	MPT106K2E352700800	35	27	0.8
2.7	MPT275K2E321600800	32	16	0.8	12	MPT126K2E353000800	35	30	0.8
3.3	MPT335K2E321700800	32	17.5	0.8	15	MPT156K2E452800800	45	28.5	0.8
3.9	MPT395K2E321900800	32	19	0.8	18	MPT186K2E453100800	45	31	0.8

### ■ Dimensions (mm) (Rated Voltage: 400V ) Cylindrical Type

μ F	Part Number	W	T	d	μ F	Part Number	W	T	d
0.047	MPT473K2G150600600	15	6	0.6	1.0	MPT105K2G251400800	25	14	0.8
0.056	MPT563K2G150600600	15	6.5	0.6	1.2	MPT125K2G251500800	25	15.5	0.8
0.068	MPT683K2G150700600	15	7	0.6	1.5	MPT155K2G251700800	25	17	0.8
0.082	MPT823K2G150800600	15	7.5	0.6	1.8	MPT185K2G321600800	32	16	0.8
0.1	MPT104K2G150800600	15	8	0.6	2.2	MPT225K2G321800800	32	17.5	0.8
0.12	MPT124K2G200700600	20	7	0.6	2.7	MPT275K2G351800800	35	18	0.8
0.15	MPT154K2G200800600	20	7.5	0.6	3.3	MPT335K2G351900800	35	19	0.8
0.18	MPT184K2G200800600	20	8	0.6	3.9	MPT395K2G352100800	35	20.5	0.8
0.22	MPT224K2G200900600	20	9	0.6	4.7	MPT475K2G352300800	35	23	0.8
0.27	MPT274K2G201000800	20	10	0.8	5.6	MPT565K2G352500800	35	25	0.8
0.33	MPT334K2G201100800	20	10.5	0.8	6.8	MPT685K2G352700800	35	27.5	0.8
0.39	MPT394K2G201200800	20	11.5	0.8	8.2	MPT825K2G353000800	35	30	0.8
0.47	MPT474K2G201300800	20	12.5	0.8	10	MPT106K2G502600800	50	26.5	0.8
0.56	MPT564K2G201400800	20	13.5	0.8	12	MPT126K2G502900800	50	29	0.8
0.68	MPT684K2G251200800	25	12	0.8	18	MPT186K2G503300800	50	33	0.8

### ■ Dimensions (mm) (Rated Voltage: 630V ) Cylindrical Type

μ F	Part Number	W	T	d	μ F	Part Number	W	T	d
0.056	MPT563K2J150700600	15	7.5	0.6	0.56	MPT564K2J251400800	25	14	0.8
0.068	MPT683K2J150800600	15	8	0.6	0.68	MPT684K2J251500800	25	15.5	0.8
0.082	MPT823K2J150900600	15	8.5	0.6	0.82	MPT824K2J251700800	25	17	0.8
0.1	MPT104K2J200800600	20	8.5	0.6	1	MPT105K2J321600800	32	16	0.8
0.12	MPT124K2J200900600	20	9	0.6	1.2	MPT125K2J321700800	32	17.5	0.8
0.15	MPT154K2J201000800	20	10	0.8	1.5	MPT155K2J321900800	32	19.5	0.8
0.18	MPT184K2J201100800	20	11	0.8	1.8	MPT185K2J322100800	32	21	0.8
0.22	MPT224K2J201200800	20	12	0.8	2.2	MPT225K2J322300800	32	23	0.8
0.27	MPT274K2J201300800	20	13	0.8	2.7	MPT275K2J352300800	35	23.5	0.8
0.33	MPT334K2J201400800	20	14	0.8	3.3	MPT335K2J352600800	35	25.5	0.8
0.39	MPT394K2J251200800	25	12	0.8	3.5	MPT355K2J402600800	40	26	0.8
0.47	MPT474K2J251300800	25	13	0.8	4	MPT405K2J402800800	40	28	0.8