

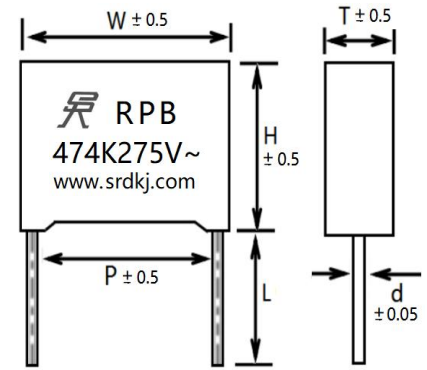
## Metallized polypropylene film A.C. Capacitor for Capacitive Divider(Box-Type)

### Structure

- Dielectric: Metallized Polypropylene film
- Electrode: Special process metal vacuum evaporation layer.
- Encapsulate: Plastic case (UL94 V-0), Flame retardant epoxy resin sealing.

### Typical Application

- Specially designed for using in Capacitive Divider circuit in series with Power Supplies.  
E.g.: Electricity Meters; LED Driver Modules, etc.
- High frequency, DC, AC, Pulse high current occasions.  
E.g.: All MPP(CBB21) capacitor suitable occasions, such as Lamps, Power Supplies, etc.



### Characteristics

- Excellent self-healing performance, good performance in withstand surge voltage, Excellent capacitance stability in long-term overload condition.

### Conform to RoHS standards

### Technical Parameter

Reference Standards	GB/T14579(IEC60384-17)	
Climatic Category	40/105/56	
Rated Temperature	85℃	
Operating Temperature Range	-40℃~105℃ (+85℃ to +105℃: Decreasing Factor 1.25% per ℃ for $U_R$ )	
Rated Voltage	275Vac (50/60Hz) / 400Vdc	
Capacitance Range	0.1μF ~ 2.2μF	
Capacitance Tolerance	J (±5%)、K (±10%)	
Voltage Proof	1.6 $U_R$ (Vdc) 5s	
Dissipation Factor	$\leq 0.0010$ (1kHz)	20℃, 1V
Insulation Resistance	$C_R \leq 0.33\mu F, R \geq 25000 M\Omega$ $C_R > 0.33\mu F, RC \geq 7500S$	20℃, 100V, 1min
Note: Products capacitance can be customized. Details specific parameters are according to Approval Sheet.		

## Metallized polypropylene film A.C. Capacitor for Capacitive Divider(Box-Type)

### Part Number System

The 15 digits part number is formed as follow:

1 2 3 4 5 6 7 8 9 10 11 12 13 14 15

R P B 4 7 4 K 2 7 D K R 8 0 0

Digit 1 to 3	Series Code: RPB = CBB21B (RC Voltage-Reducing)
Digit 4 to 6	Rated Capacitance Value: 474=47x10 <sup>4</sup> pF=0.47μF
Digit 7	Capacitance Tolerance: J=±5%、K=±10%
Digit 8 to 9	A.C. Rated Voltage: 27 = 275VAC
Digit 10 to 11	Dimensions Code: See The Dimension Comparison Table
Digit 12	Color Code: R - Gray; X - Yellow
Digit 13	Lead-wire Diameter Code: 6=0.6、8=0.8
Digit 14 to 15	Internal Recognition Code

### Dimensions (mm)

μF	Part Number	W	T	H	P	d	μF	Part Number	W	T	H	P	d
0.1	RPB104K27C3R600	13	6	12	10	0.6	0.47	RPB474K27E2R800	26.5	7	16.5	22.5	0.8
0.1	RPB104K27D2R800	18	6	12	15	0.8	0.56	RPB564K27DNR800	17.5	9.2	19.5	15	0.8
0.15	RPB154K27CGR600	12.5	6.2	15.5	10	0.6	0.56	RPB564K27E3R800	26.5	8.5	17	22.5	0.8
0.15	RPB154K27D2R800	18	6	12	15	0.8	0.68	RPB684K27DRR800	17.5	10.2	22.5	15	0.8
0.18	RPB184K27D2R800	18	6	12	15	0.8	0.68	RPB684K27D8R800	18	11.2	19.2	15	0.8
0.22	RPB224K27DDR800	17.5	6.2	15.5	15	0.8	0.68	RPB684K27E3R800	26.5	8.5	17	22.5	0.8
0.22	RPB224K27D3R800	18	7.5	13.5	15	0.8	0.82	RPB824K27DRR800	17.5	10.2	22.5	15	0.8
0.27	RPB274K27D3R800	18	7.5	13.5	15	0.8	0.82	RPB824K27E4R800	26.5	10	19	22.5	0.8
0.33	RPB334K27D4R800	18	8.4	14.5	15	0.8	1.0	RPB105K27DXR800	17.5	12.2	24.5	15	0.8
0.33	RPB334K27DGR800	17.5	7.2	17.5	15	0.8	1.0	RPB105K27E4R800	26.5	10	19	22.5	0.8
0.39	RPB394K27D5R800	18	9.5	15.5	15	0.8	1.2	RPB125K27E5R800	26.5	11	20	22.5	0.8
0.39	RPB394K27DGR800	17.5	7.2	17.5	15	0.8	1.5	RPB155K27E6R800	26	12	21.5	22.5	0.8
0.47	RPB474K27D6R800	18	10	15.8	15	0.8	1.8	RPB185K27F2R800	31.5	13	21.5	27.5	0.8
1.2	MPB125J2WE2R800	26.5	7	16.5	22.5	0.8	12.0	MPB126J2WF6R800	31.5	18	33	27.5	0.8