

交流滤波电容器(PCB)

■ 结构

- 介质：聚丙烯膜
- 电极：特殊工艺金属真空蒸发层
- 封装：阻燃环氧树脂，符合 UL94 V-0
- 外壳：阻燃 PBT 塑壳，符合 UL94 V-0
- 引脚：镀锡铜引线

■ 典型应用

- 适用于小功率交流滤波电路（如：UPS、太阳能光伏 DC/AC 逆变器中的 LCL 滤波）

■ 特点

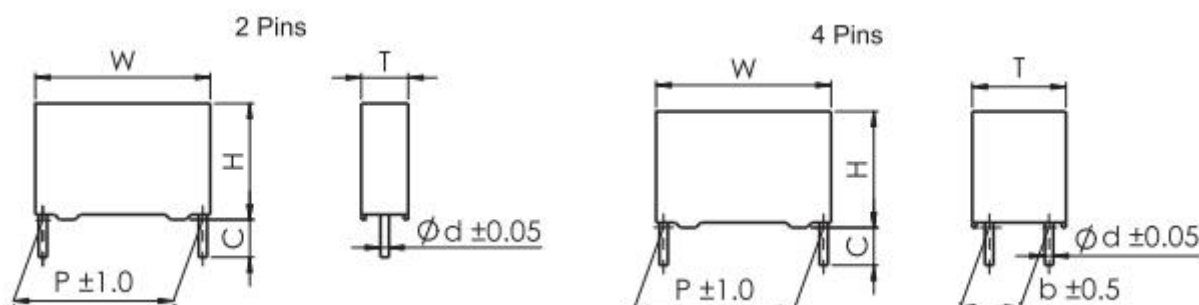
- 外观一致性好；有良好自愈性；抗湿性强；寿命长；耐过电压优良。

■ 符合 RoHS 标准

■ 技术参数

| | | | | |
|----------------------------|---|--------------|------------|---------------|
| 引用标准 | GB/T17702 (IEC 61071) | | | |
| 气候类别 | 40/85/56 | | | |
| 工作温度（外壳温度） | 40℃~105℃ (+85℃~+105℃: Decreasing Factor 1.5%/℃ for Urms) | | | |
| 额定均方根电压 | 180Vac | 250Vac | 300Vac | 350Vac |
| 额定交流电压 | 250Vac | 350Vac | 425Vac | 480Vac |
| | 300Vdc | 475Vdc | 560Vdc | 600Vdc |
| 电容量范围 | 4.0μF~60.0μF | 1.0μF~40.0μF | 1.0~28.0μF | 0.33μF~27.0μF |
| 电容量偏差 | J (±5%)、K (±10%) | | | |
| 耐电压 | 引线之间：1.5U _N (Vac) (10s) | | | |
| | 极壳之间：3000Vac | | | |
| 绝缘电阻 | ≥3000s (20℃, 100Vdc, 60s) | | | |
| 损耗角 | ≤20×10 ⁻⁴ (1KHz, 20℃) | | | |
| 注：若用于户外或长期湿度较大场合，建议选用防潮设计。 | | | | |

■ 外形图



交流滤波电容器(PCB)

■ 产品编码说明

16位产品代码规定如下:

| | | | | | | | | | | | | | | | |
|---|---|---|---|---|---|---|---|---|----|----|----|----|----|----|----|
| 1 | 2 | 3 | 4 | 5 | 6 | 7 | 8 | 9 | 10 | 11 | 12 | 13 | 14 | 15 | 16 |
|---|---|---|---|---|---|---|---|---|----|----|----|----|----|----|----|

| | | | | | | | | |
|---------|--|---------------|----------|------------------|------------------|---------------|------|---------------|
| 第1~3位 | 型号代码：C6A=交流滤波电容器(PCB) | | | | | | | |
| 第4~6位 | 标称容量：104=10×10 ⁴ pF=0.1μF | | | | | | | |
| 第7位 | 容量偏差：J=±5%、K=±10% | | | | | | | |
| 第8~9位 | 额定电压： 18=500Vac、25=250Vac、30=300Vac、35=350Vac | | | | | | | |
| 第10~11位 | 外形尺寸代码：见外形尺寸对照表 | | | | | | | |
| | 塑壳代码 | 塑壳尺寸 W*T*H | 塑壳代码 | 塑壳尺寸 W*T*H | 塑壳代码 | 塑壳尺寸 W*T*H | 塑壳代码 | 塑壳尺寸 W*T*H |
| | F0 | 31.5*9*18 | F1 | 31.5*10.8*19.5 | F2 | 31.5*13*21.5 | F3 | 31*14*25 |
| | F4 | 31.5*16*25.5 | F5 | 31.5*16*30 | F6 | 31*18*33 | FA | 31.5*22*37 |
| | S0 | 41.5*11*22 | S1 | 41.5*12*26 | S2 | 41.5*14*28 | S3 | 41.5*16*30 |
| | S4 | 41.5*17*32 | S5 | 41.5*18.5*33.5 | S6 | 41.5*22*37 | S7 | 41.5*26*41 |
| | S8 | 41.5*28*43 | S9 | 42*30*45 | H3 | 57*25*45 | H4 | 57*29.5*43.5 |
| H5 | 57*35*45 | H6 | 57*35*50 | H7 | 57*40*50 | | | |
| 第12位 | 颜色代码：R- 灰色;T- 黑色 | | | | | | | |
| 第13位 | 线径代码：8=0.8、1=1.0、2=1.2 | | | | | | | |
| 第14~16位 | 引线加工代码，如下表 | | | | | | | |
| | 第14位 | | | | 第15~16位 | | | |
| | 代码 | 内容说明 | | 代码 | 内容说明 | | | |
| | 1 | 4条引线 b=15.0mm | | 35 | 引脚长度 L=3.5±0.5mm | | | |
| | 2 | 4条引线 b=10.0mm | | 38 | 引脚长度 L=3.8±0.5mm | | | |
| | 3 | 4条引线 b=12.7mm | | 40 | 引脚长度 L=4.0±0.5mm | | | |
| | 4 | 4条引线 b=20.0mm | | 45 | 引脚长度 L=4.5±0.5mm | | | |
| | 5 | 4条引线 b=20.3mm | | 50 | 引脚长度 L=5.0±0.5mm | | | |
| | 6 | 4条引线 b=10.2mm | | 55 | 引脚长度 L=5.5±0.5mm | | | |
| 7 | 4条引线 b=5.10mm | | 60 | 引脚长度 L=6.0±0.5mm | | | | |
| 8 | 4条引线 b=15.2mm | | 65 | 引脚长度 L=6.5±0.5mm | | | | |

交流滤波电容器(PCB)

■ 技术参数

| Urms=180Vac, UN=250Vac, UNDC=300Vdc | | | | | | | | | | | | | |
|-------------------------------------|----------------|-------------|-------------|-------------|-------------|-------------|------|-----------------|------------------------|------------------|--------------------|----------------------------|--|
| 容量 μ F | 产品料号 | 尺寸 (mm) | | | | | pins | d ± 0.05 | L _s (nH) | \hat{I} (A) | \hat{I}_s (A) | ESR(m Ω) @10KHZ | I _{max} (A) 10KHZ@70 °C |
| | | W ± 1.0 | T ± 1.0 | H ± 1.0 | P ± 1.0 | b ± 0.5 | | | | | | | |
| 4.0 | C6A405J18F2**0 | 31.5 | 13.0 | 21.5 | 27.5 | -- | 2 | 1.0 | 16 | 280 | 840 | 6.7 | 7 |
| 5.0 | C6A505J18F4**0 | 31.5 | 16.0 | 25.5 | 27.5 | -- | 2 | 1.0 | 18 | 350 | 1050 | 5.3 | 8 |
| 6.8 | C6A685J18F6**0 | 31.0 | 18.0 | 33.0 | 27.5 | -- | 2 | 1.2 | 21 | 476 | 1428 | 3.9 | 11 |
| 10.0 | C6A106J18F6**0 | 31.0 | 18.0 | 33.0 | 27.5 | -- | 2 | 1.2 | 20 | 700 | 2100 | 2.7 | 13 |
| 10.0 | C6A106J18S4**0 | 41.5 | 17.0 | 32.0 | 37.5 | -- | 2 | 1.2 | 22 | 400 | 1200 | 4.9 | 10 |
| 15.0 | C6A156J18S6**0 | 41.5 | 22.0 | 37.0 | 37.5 | -- | 2 | 1.2 | 24 | 600 | 1800 | 3.3 | 14 |
| 18.0 | C6A186J18S6**0 | 41.5 | 22.0 | 37.0 | 37.5 | -- | 2 | 1.2 | 25 | 720 | 2160 | 2.7 | 14 |
| 20.0 | C6A206J18S6**0 | 41.5 | 22.0 | 37.0 | 37.5 | -- | 2 | 1.2 | 25 | 800 | 2400 | 2.5 | 14 |
| 22.0 | C6A226J18S7**0 | 41.5 | 26.0 | 41.0 | 37.5 | -- | 2 | 1.2 | 26 | 880 | 2640 | 2.2 | 14 |
| 25.0 | C6A256J18S7**0 | 41.5 | 26.0 | 41.0 | 37.5 | -- | 2 | 1.2 | 27 | 1000 | 3000 | 2.0 | 14 |
| 30.0 | C6A306J18S9**0 | 42.0 | 30.0 | 45.0 | 37.5 | -- | 2 | 1.2 | 28 | 1200 | 3600 | 1.6 | 14 |
| 33.0 | C6A336J18S9**0 | 42.0 | 30.0 | 45.0 | 37.5 | -- | 2 | 1.2 | 29 | 1320 | 3960 | 1.5 | 14 |
| 40.0 | C6A406J18H4**0 | 57.0 | 29.5 | 43.5 | 52.5 | 20.3 | 4 | 1.2 | 26 | 800 | 2400 | 2.6 | 20 |
| 50.0 | C6A506J18H6**0 | 57.0 | 35.0 | 50.0 | 52.5 | 20.3 | 4 | 1.2 | 28 | 1000 | 3000 | 2.1 | 24 |
| 60.0 | C6A606J18H6**0 | 57.0 | 35.0 | 50.0 | 52.5 | 20.3 | 4 | 1.2 | 29 | 1200 | 3600 | 1.7 | 27 |

| Urms=250Vac, U _N =350Vac, U _{NDc} =475Vdc | | | | | | | | | | | | | |
|---|----------------|-------------|-------------|-------------|-------------|-------------|------|-----------------|------------------------|------------------|--------------------|----------------------------|------------------------------------|
| 容量 μ F | 产品料号 | 尺寸 (mm) | | | | | pins | d ± 0.05 | L _s (nH) | \hat{I} (A) | \hat{I}_s (A) | ESR(m Ω) @10KHZ | I _{max} (A) 10KHZ@70°C |
| | | W ± 1.0 | T ± 1.0 | H ± 1.0 | P ± 1.0 | b ± 0.5 | | | | | | | |
| 1.0 | C6A105J25F0**0 | 31.5 | 9.0 | 18.0 | 27.5 | -- | 2 | 1.0 | 20 | 90 | 270 | 19.3 | 3 |
| 1.5 | C6A155J25F1**0 | 31.5 | 10.8 | 19.5 | 27.5 | -- | 2 | 1.0 | 20 | 135 | 405 | 12.9 | 4 |
| 2.0 | C6A205J25F2**0 | 31.5 | 13.0 | 21.5 | 27.5 | -- | 2 | 1.0 | 20 | 180 | 540 | 9.6 | 5 |
| 2.2 | C6A225J25F2**0 | 31.5 | 13.0 | 21.5 | 27.5 | -- | 2 | 1.0 | 20 | 198 | 594 | 8.8 | 6 |
| 2.5 | C6A255J25F2**0 | 31.5 | 13.0 | 21.5 | 27.5 | -- | 2 | 1.0 | 20 | 225 | 675 | 7.7 | 6 |
| 3.0 | C6A305J25F3**0 | 31.0 | 14.0 | 25.0 | 27.5 | -- | 2 | 1.0 | 20 | 270 | 810 | 6.4 | 7 |
| 3.3 | C6A335J25F3**0 | 31.0 | 14.0 | 25.0 | 27.5 | -- | 2 | 1.0 | 21 | 294 | 891 | 5.8 | 8 |
| 3.5 | C6A355J25F4**0 | 31.5 | 16.0 | 25.5 | 27.5 | -- | 2 | 1.0 | 23 | 315 | 945 | 5.5 | 8 |
| 4.0 | C6A405J25F6**0 | 31.0 | 18.0 | 33.0 | 27.5 | -- | 2 | 1.2 | 22 | 360 | 1080 | 4.8 | 10 |
| 4.5 | C6A455J25F6**0 | 31.0 | 18.0 | 33.0 | 27.5 | -- | 2 | 1.2 | 23 | 405 | 1215 | 4.3 | 10 |
| 5.0 | C6A505J25F6**0 | 31.0 | 18.0 | 33.0 | 27.5 | -- | 2 | 1.2 | 23 | 450 | 1350 | 3.9 | 11 |
| 6.8 | C6A685J25FA**0 | 31.5 | 22.0 | 37.0 | 27.5 | -- | 2 | 1.2 | 24 | 612 | 1836 | 2.8 | 14 |
| 4.7 | C6A475J25S2**0 | 41.5 | 14.0 | 28.0 | 37.5 | -- | 2 | 1.2 | 24 | 282 | 846 | 7.8 | 7 |
| 5.0 | C6A505J25S2**0 | 41.5 | 14.0 | 28.0 | 37.5 | -- | 2 | 1.2 | 26 | 300 | 900 | 7.3 | 8 |
| 6.0 | C6A605J25S4**0 | 41.5 | 17.0 | 32.0 | 37.5 | -- | 2 | 1.2 | 26 | 360 | 1080 | 6.1 | 9 |

交流滤波电容器(PCB)

| Urms=250Vac, U _N =350Vac, U _{NDC} =475Vdc | | | | | | | | | | | | | |
|---|----------------|---------|-------|-------|-------|-------|------|------------|------------------------|----------|-----------------------|-------------------|-----------------------------------|
| 容量μF | 产品料号 | 尺寸 (mm) | | | | | pins | d ±0.05 | L _s (nH) | Ī (A) | Î _s (A) | ESR(mΩ) @10KHZ | I _{max} (A) 10KHZ@70℃ |
| | | W±1.0 | T±1.0 | H±1.0 | P±1.0 | b±0.5 | | | | | | | |
| 6.5 | C6A655J25S4**0 | 41.5 | 17.0 | 32.0 | 37.5 | -- | 2 | 1.2 | 26 | 390 | 1170 | 5.6 | 10 |
| 6.8 | C6A685J25S5**0 | 41.5 | 18.5 | 33.5 | 37.5 | -- | 2 | 1.2 | 27 | 408 | 1224 | 5.4 | 10 |
| 7.5 | C6A755J25S5**0 | 41.5 | 18.5 | 33.5 | 37.5 | -- | 2 | 1.2 | 27 | 450 | 1350 | 4.9 | 11 |
| 8.0 | C6A805J25S6**0 | 41.5 | 22.0 | 37.0 | 37.5 | -- | 2 | 1.2 | 27 | 480 | 1440 | 4.6 | 12 |
| 10.0 | C6A106J25S6**0 | 41.5 | 22.0 | 37.0 | 37.5 | -- | 2 | 1.2 | 28 | 600 | 1800 | 3.7 | 13 |
| 12.0 | C6A126J25S7**0 | 41.5 | 26.0 | 41.0 | 37.5 | -- | 2 | 1.2 | 29 | 720 | 2160 | 3.0 | 14 |
| 15.0 | C6A156J25S7**0 | 41.5 | 26.0 | 41.0 | 37.5 | -- | 2 | 1.2 | 30 | 900 | 2700 | 2.4 | 14 |
| 18.0 | C6A186J25S8**0 | 41.5 | 28.0 | 43.0 | 37.5 | -- | 2 | 1.2 | 31 | 1080 | 3240 | 2.0 | 14 |
| 20.0 | C6A206J25S9**0 | 41.5 | 30.0 | 45.0 | 37.5 | -- | 2 | 1.2 | 32 | 1200 | 3600 | 1.8 | 14 |
| 22.0 | C6A226J25S7**0 | 41.5 | 30.0 | 45.0 | 37.5 | -- | 2 | 1.2 | 33 | 1320 | 3960 | 1.7 | 14 |
| 25.0 | C6A256J25H4**0 | 57.0 | 29.5 | 43.5 | 52.5 | 20.3 | 4 | 1.2 | 31 | 750 | 2250 | 3.3 | 18 |
| 30.0 | C6A306J25H4**0 | 57.0 | 29.5 | 43.5 | 52.5 | 20.3 | 4 | 1.2 | 32 | 900 | 2700 | 2.7 | 20 |
| 35.0 | C6A356J25H6**0 | 57.0 | 35.0 | 50.0 | 52.5 | 20.3 | 4 | 1.2 | 32 | 1050 | 3150 | 2.3 | 23 |
| 40.0 | C6A406J25H6**0 | 57.0 | 35.0 | 50.0 | 52.5 | 20.3 | 4 | 1.2 | 33 | 1200 | 3600 | 2.0 | 25 |

| Urms=300Vac, U _N =425Vac, U _{NDC} =560Vdc | | | | | | | | | | | | | |
|---|----------------|---------|-------|-------|-------|-------|------|------------|------------------------|----------|-----------------------|-------------------|-----------------------------------|
| 容量μF | 产品料号 | 尺寸 (mm) | | | | | pins | d ±0.05 | L _s (nH) | Ī (A) | Î _s (A) | ESR(mΩ) @10KHZ | I _{max} (A) 10KHZ@70℃ |
| | | W±1.0 | T±1.0 | H±1.0 | P±1.0 | b±0.5 | | | | | | | |
| 1.0 | C6A105J30F1**0 | 31.5 | 20.8 | 19.5 | 27.5 | -- | 2 | 1.0 | 16 | 100 | 300 | 15.9 | 4 |
| 1.5 | C6A155J30F2**0 | 31.5 | 13.0 | 21.5 | 27.5 | -- | 2 | 1.0 | 17 | 150 | 450 | 10.6 | 5 |
| 2.0 | C6A205J30F3**0 | 31.0 | 14.0 | 25.0 | 27.5 | -- | 2 | 1.0 | 18 | 200 | 600 | 8.9 | 6 |
| 2.2 | C6A225J30F3**0 | 31.0 | 14.0 | 25.0 | 27.5 | -- | 2 | 1.0 | 18 | 220 | 660 | 8.0 | 7 |
| 2.5 | C6A255J30F4**0 | 31.6 | 16.0 | 25.5 | 27.5 | -- | 2 | 1.0 | 19 | 250 | 750 | 7.2 | 8 |
| 3.0 | C6A305J30F6**0 | 31.0 | 18.0 | 33.0 | 27.5 | -- | 2 | 1.2 | 21 | 300 | 900 | 6.4 | 9 |
| 3.3 | C6A335J30F6**0 | 31.0 | 18.0 | 33.0 | 27.5 | -- | 2 | 1.2 | 20 | 330 | 990 | 5.3 | 10 |
| 3.5 | C6A355J30F6**0 | 31.0 | 18.0 | 33.0 | 27.5 | -- | 2 | 1.2 | 21 | 350 | 1050 | 4.8 | 10 |
| 4.0 | C6A405J30F6**0 | 31.0 | 18.0 | 33.0 | 27.5 | -- | 2 | 1.2 | 21 | 400 | 1200 | 4.6 | 11 |
| 4.7 | C6A475J30FA**0 | 31.5 | 22.0 | 37.0 | 27.5 | -- | 2 | 1.2 | 22 | 470 | 1410 | 4.0 | 13 |
| 5.0 | C6A505J30FA**0 | 31.5 | 22.0 | 37.0 | 27.5 | -- | 2 | 1.2 | 22 | 500 | 1500 | 3.4 | 13 |
| 6.8 | C6A685J30FA**0 | 31.5 | 22.0 | 37.0 | 27.5 | -- | 2 | 1.2 | 23 | 680 | 2040 | 3.2 | 14 |
| 3.0 | C6A305J30S2**0 | 41.5 | 14.0 | 28.0 | 37.5 | -- | 2 | 1.2 | 22 | 210 | 630 | 10.1 | 6 |
| 3.3 | C6A335J30S2**0 | 41.5 | 14.0 | 28.0 | 37.5 | -- | 2 | 1.2 | 22 | 231 | 693 | 9.2 | 7 |
| 3.5 | C6A355J30S2**0 | 41.5 | 14.0 | 28.0 | 37.5 | -- | 2 | 1.2 | 23 | 245 | 375 | 8.6 | 7 |
| 4.0 | C6A405J30S4**0 | 41.5 | 17.0 | 32.0 | 37.5 | -- | 2 | 1.2 | 24 | 280 | 840 | 7.6 | 8 |
| 4.5 | C6A455J30S4**0 | 41.5 | 17.0 | 32.0 | 37.5 | -- | 2 | 1.2 | 24 | 315 | 945 | 6.7 | 9 |

交流滤波电容器(PCB)

| Urms=300Vac, U _N =425Vac, U _{NDC} =560Vdc | | | | | | | | | | | | | |
|---|----------------|---------|-------|-------|-------|-------|------|------------|------------------------|----------|-----------------------|-------------------|-----------------------------------|
| 容量μF | 产品料号 | 尺寸 (mm) | | | | | pins | d ±0.05 | L _s (nH) | Î (A) | Î _s (A) | ESR(mΩ) @10KHZ | I _{max} (A) 10KHZ@70℃ |
| | | W±1.0 | T±1.0 | H±1.0 | P±1.0 | b±0.5 | | | | | | | |
| 4.7 | C6A475J30S4**0 | 41.5 | 17.0 | 32.0 | 37.5 | -- | 2 | 1.2 | 24 | 329 | 987 | 6.4 | 9 |
| 5.0 | C6A505J30S5**0 | 41.5 | 18.5 | 33.5 | 37.5 | -- | 2 | 1.2 | 24 | 350 | 1050 | 6.0 | 10 |
| 6.0 | C6A605J30S5**0 | 41.5 | 18.5 | 33.5 | 37.5 | -- | 2 | 1.2 | 25 | 420 | 1260 | 5.0 | 11 |
| 6.8 | C6A685J30S6**0 | 41.5 | 22.0 | 37.0 | 37.5 | -- | 2 | 1.2 | 25 | 476 | 1428 | 4.4 | 12 |
| 8.0 | C6A805J30S6**0 | 41.5 | 22.0 | 37.0 | 37.5 | -- | 2 | 1.2 | 26 | 560 | 1680 | 3.8 | 13 |
| 10.0 | C6A106J30S7**0 | 41.5 | 26.0 | 41.0 | 37.5 | -- | 2 | 1.2 | 28 | 700 | 2100 | 3.0 | 14 |
| 12.0 | C6A126J30S8**0 | 41.5 | 28.0 | 43.0 | 37.5 | -- | 2 | 1.2 | 29 | 840 | 2520 | 2.5 | 14 |
| 15.0 | C6A156J30S9**0 | 42.0 | 30.0 | 45.0 | 37.5 | -- | 2 | 1.2 | 30 | 1050 | 315 | 2.1 | 14 |
| 18.0 | C6A186J30H4**0 | 57.0 | 29.5 | 43.5 | 52.5 | 20.3 | 4 | 1.2 | 29 | 720 | 2160 | 3.8 | 17 |
| 20.0 | C6A206J30H4**0 | 57.0 | 29.5 | 43.5 | 52.5 | 20.3 | 4 | 1.2 | 29 | 800 | 2400 | 3.4 | 18 |
| 22.0 | C6A226J30H4**0 | 57.0 | 29.5 | 43.5 | 52.5 | 20.3 | 4 | 1.2 | 30 | 880 | 2640 | 3.1 | 20 |
| 25.0 | C6A256J30H6**0 | 57.0 | 35.0 | 50.0 | 52.5 | 20.3 | 4 | 1.2 | 31 | 1000 | 3000 | 2.7 | 21 |
| 28.0 | C6A286J30H6**0 | 57.0 | 35.0 | 50.0 | 52.5 | 20.3 | 4 | 1.2 | 32 | 1120 | 3360 | 2.4 | 23 |

| Urms=350Vac, U _N =480Vac, U _{NDC} =600Vdc | | | | | | | | | | | | | |
|---|----------------|---------|-------|-------|-------|-------|------|------------|------------------------|----------|-----------------------|-------------------|-----------------------------------|
| 容量μF | 产品料号 | 尺寸 (mm) | | | | | pins | d ±0.05 | L _s (nH) | Î (A) | Î _s (A) | ESR(mΩ) @10KHZ | I _{max} (A) 10KHZ@70℃ |
| | | W±1.0 | T±1.0 | H±1.0 | P±1.0 | b±0.5 | | | | | | | |
| 0.33 | C6A334J35F0**0 | 31.5 | 9.0 | 18.0 | 27.5 | -- | 2 | 0.8 | 17 | 17 | 51 | 53.9 | 1.6 |
| 0.39 | C6A394J35F0**0 | 31.5 | 9.0 | 18.0 | 27.5 | -- | 2 | 0.8 | 17 | 20 | 60 | 46.0 | 1.7 |
| 0.47 | C6A474J35F0**0 | 31.5 | 9.0 | 18.0 | 27.5 | -- | 2 | 0.8 | 17 | 24 | 72 | 38.6 | 1.9 |
| 0.68 | C6A684J35F1**0 | 31.5 | 10.8 | 19.5 | 27.5 | -- | 2 | 0.8 | 18 | 35 | 105 | 27.5 | 2.5 |
| 0.82 | C6A824J35F2**0 | 31.5 | 13.0 | 21.5 | 27.5 | -- | 2 | 0.8 | 18 | 42 | 126 | 23.3 | 3.0 |
| 1.0 | C6A105J35F2**0 | 31.5 | 13.0 | 21.5 | 27.5 | -- | 2 | 1.0 | 18 | 51 | 153 | 19.6 | 3.2 |
| 1.5 | C6A155J35F3**0 | 31.0 | 14.0 | 25.0 | 27.5 | -- | 2 | 1.0 | 19 | 76 | 228 | 14.0 | 4.2 |
| 2.0 | C6A205J35F5**0 | 31.5 | 16.0 | 30.0 | 27.5 | -- | 2 | 1.0 | 21 | 102 | 306 | 11.1 | 5.0 |
| 2.2 | C6A225J35F5**0 | 31.5 | 16.0 | 30.0 | 27.5 | -- | 2 | 1.0 | 20 | 112 | 336 | 10.4 | 5.2 |
| 2.5 | C6A255J35F6**0 | 31.0 | 18.0 | 33.0 | 27.5 | -- | 2 | 1.0 | 22 | 127 | 381 | 7.0 | 6.2 |
| 3.0 | C6A305J35FA**0 | 31.5 | 22.0 | 37.0 | 27.5 | -- | 2 | 1.0 | 24 | 153 | 459 | 5.8 | 7.4 |
| 3.3 | C6A335J35FA**0 | 31.5 | 22.0 | 37.0 | 27.5 | -- | 2 | 1.0 | 24 | 168 | 504 | 5.3 | 7.7 |
| 3.5 | C6A355J35FA**0 | 31.5 | 22.0 | 37.0 | 27.5 | -- | 2 | 1.0 | 23 | 178 | 534 | 5.0 | 7.9 |
| 4.0 | C6A405J35FA**0 | 31.5 | 22.0 | 37.5 | 27.5 | -- | 2 | 1.0 | 23 | 204 | 612 | 4.4 | 8.2 |
| 1.0 | C6A105J35S0**0 | 41.5 | 11.0 | 22.0 | 37.5 | -- | 2 | 1.0 | 24 | 36 | 108 | 28.0 | 2.8 |
| 1.5 | C6A155J35S1**0 | 41.5 | 12.0 | 26.0 | 37.5 | -- | 2 | 1.0 | 25 | 55 | 165 | 19.3 | 3.7 |
| 2.0 | C6A205J35S2**0 | 41.5 | 14.0 | 28.0 | 37.5 | -- | 2 | 1.0 | 26 | 73 | 219 | 14.9 | 4.6 |

交流滤波电容器(PCB)

| Urms=350Vac, U _N =480Vac, U _{NDC} =600Vdc | | | | | | | | | | | | | |
|---|-----------------|---------|-------|-------|-------|-------|------|------------|------------------------|----------|-----------------------|-------------------|-----------------------------------|
| 容量μF | 产品料号 | 尺寸 (mm) | | | | | pins | d ±0.05 | L _s (nH) | Ī (A) | Ī _s (A) | ESR(mΩ) @10KHZ | I _{max} (A) 10KHZ@70℃ |
| | | W±1.0 | T±1.0 | H±1.0 | P±1.0 | b±0.5 | | | | | | | |
| 2.2 | C6A225J35S2**0= | 41.5 | 14.0 | 28.0 | 37.5 | -- | 2 | 1.0 | 25 | 80 | 240 | 13.7 | 4.8 |
| 2.5 | C6A255J35S3**0= | 41.5 | 16.0 | 30.0 | 37.5 | -- | 2 | 1.0 | 27 | 91 | 273 | 12.3 | 5.3 |
| 3.0 | C6A305J35S3**0= | 41.5 | 16.0 | 30.0 | 37.5 | -- | 2 | 1.0 | 26 | 109 | 327 | 10.5 | 5.7 |
| 3.3 | C6A335J35S4**0= | 41.5 | 17.0 | 32.0 | 37.5 | -- | 2 | 1.0 | 29 | 120 | 360 | 9.7 | 6.2 |
| 3.5 | C6A355J35S4**0= | 41.5 | 17.0 | 32.0 | 37.5 | -- | 2 | 1.0 | 28 | 128 | 384 | 9.3 | 6.4 |
| 4.0 | C6A405J35S5**0= | 41.5 | 18.5 | 33.5 | 37.5 | -- | 2 | 1.0 | 29 | 146 | 438 | 8.3 | 7.0 |
| 4.5 | C6A455J35S6**0= | 41.5 | 22.0 | 37.0 | 37.5 | -- | 2 | 1.0 | 31 | 164 | 492 | 7.6 | 8.0 |
| 5.0 | C6A505J35S6**0= | 41.5 | 22.0 | 37.0 | 37.5 | -- | 2 | 1.0 | 30 | 182 | 546 | 7.0 | 8.3 |
| 5.5 | C6A555J35S6**0= | 41.5 | 22.0 | 37.0 | 37.5 | -- | 2 | 1.0 | 29 | 201 | 603 | 6.6 | 8.6 |
| 6.0 | C6A605J35S7**0= | 41.5 | 26.0 | 41.0 | 37.5 | -- | 2 | 1.0 | 32 | 219 | 657 | 6.2 | 9.7 |
| 6.5 | C6A655J35S7**0= | 41.5 | 26.0 | 41.0 | 37.5 | -- | 2 | 1.0 | 31 | 237 | 711 | 5.8 | 10.0 |
| 7.0 | C6A705J35S7**0= | 41.5 | 26.0 | 41.0 | 37.5 | -- | 2 | 1.0 | 31 | 255 | 765 | 5.5 | 10.3 |
| 7.5 | C6A755J35S7**0= | 41.5 | 26.0 | 41.0 | 37.5 | -- | 2 | 1.0 | 30 | 274 | 822 | 5.3 | 10.5 |
| 8.0 | C6A805J35S7**0= | 41.5 | 26.0 | 41.0 | 37.5 | -- | 2 | 1.0 | 30 | 292 | 876 | 5.1 | 10.5 |
| 8.5 | C6A855J35S8**0= | 41.5 | 28.0 | 43.0 | 37.5 | -- | 2 | 1.0 | 32 | 310 | 930 | 4.9 | 10.5 |
| 9.0 | C6A905J35S8**0= | 41.5 | 28.0 | 43.0 | 37.5 | -- | 2 | 1.0 | 31 | 328 | 986 | 4.7 | 10.7 |
| 9.5 | C6A955J35S9**0= | 42.0 | 30.0 | 45.0 | 37.5 | -- | 2 | 1.0 | 33 | 347 | 1041 | 4.5 | 10.7 |
| 10.0 | C6A106J35S9**0= | 42.0 | 30.0 | 45.0 | 37.5 | -- | 2 | 1.0 | 32 | 365 | 1095 | 4.4 | 10.9 |
| 10.0 | C6A106J35H3**0= | 57.0 | 25.0 | 45.0 | 52.5 | -- | 2 | 1.2 | 34 | 260 | 780 | 5.7 | 11.6 |
| 11.0 | C6A116J35H3**0= | 57.0 | 25.0 | 45.0 | 52.5 | -- | 2 | 1.2 | 33 | 286 | 858 | 5.3 | 11.9 |
| 12.0 | C6A126J35H4**0= | 57.0 | 29.5 | 43.5 | 52.5 | 20.3 | 4 | 1.2 | 29 | 312 | 936 | 4.4 | 14.1 |
| 15.0 | C6A156J35H5**0= | 57.0 | 35.0 | 45.0 | 52.5 | 20.3 | 4 | 1.2 | 31 | 391 | 1173 | 3.7 | 16.4 |
| 16.0 | C6A166J35H5**0= | 57.0 | 35.0 | 45.0 | 52.5 | 20.3 | 4 | 1.2 | 30 | 417 | 1251 | 3.5 | 16.8 |
| 18.0 | C6A186J35H6**0= | 57.0 | 35.0 | 50.0 | 52.5 | 20.3 | 4 | 1.2 | 33 | 469 | 1408 | 3.2 | 18.1 |
| 20.0 | C6A206J35H7**0= | 57.0 | 40.0 | 50.0 | 52.5 | 20.3 | 4 | 1.2 | 32 | 521 | 1563 | 2.9 | 19.8 |

备注 Note:

1. “* *”表示内部识别码。
2. “= ”表示引线加工代码见表 1 所示。
3. “I_{max}”测试条件: 环境温度 70℃, 频率为 100KHz, 外壳温度达到 85℃的有效值。
4. “ESR”, “L_s”均为典型值测试数据。
5. “Urms=300Vac”: 随着电源电压波动, 最大交流施加电压为 300Vac。
300Vac 为相对额定电压 240Vac、电源电压波动时的最大值, 并非连续施加电压的保证值。
6. “Urms=350Vac”: 适用于 277Vac 电网电压场合。