

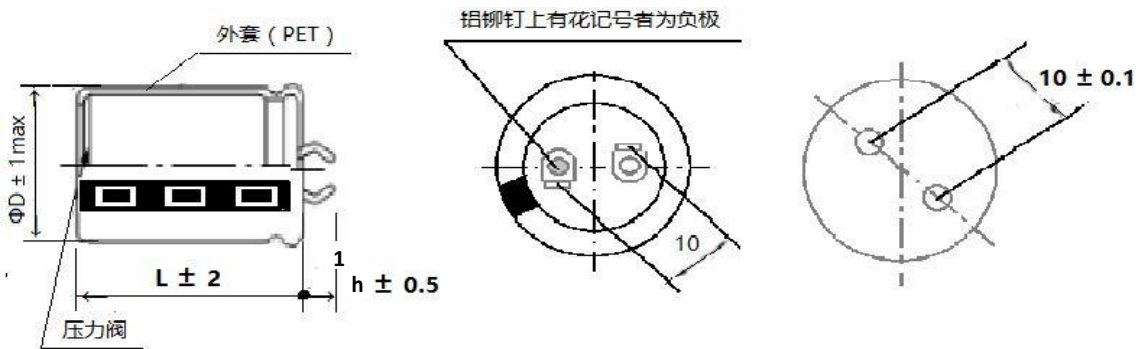
LS

- 耐高纹波产品
- 85°C 2000 小时寿命
- 符合 RoHS

主要技术性能

使用温度范围	-40+85°C					-25+85°C					
工作电压范围	10-100V. DC					160-450V. DC					
标称容量允许偏差	±20% (120Hz, 20°C)										
漏电流	$I \leq 3\sqrt{CV} \mu A$ (2 分钟)										
损耗角正切值 (120Hz, 20°C)	WV	10	16	25	35	50	63	80	100	160-400	450
	tg δ	0.55	0.50	0.45	0.40	0.35	0.30	0.25	0.20	0.15	0.20
低温特性 (120Hz)	WV	10-100	160-250	300-400	450						
	$Z_{-25°C} / Z_{+20°C}$	4	3	5	8						
	$Z_{-40°C} / Z_{+20°C}$	15	/	/	/						
耐久性	在+85°C环境中, 施加带纹波电流的工作电压 2000 小时, 恢复 16 小时后, 产品性能符合以下要求:										
	电容量变化率	≤ ±20%初始测量值									
	损耗角正切值	≤ 2 倍规定值									
高温贮存	在+85°C环境中, 放置 1000 小时, 恢复 16 小时后, 产品性能符合以下要求:										
	电容量变化率	≤ ±20%初始测量值									
	漏电流值	≤ 2 倍规定值									

外形图及尺寸



纹波电流频率修正系数

工作电压	频率 (Hz)	50	120	1K	≥10K
	系数	0.90	1.00	1.15	1.25
10-100V		0.90	1.00	1.15	1.25
160-250V		0.80	1.00	1.25	1.47
315-450V		0.80	1.00	1.30	1.47

LS

标称容量、工作电压、外形尺寸对应表

	10V (1A)			16V (1C)		
	尺寸 (mm)	纹波电流 (A)	成品料号	尺寸 (mm)	纹波电流 (A)	成品料号
8200				22X25	2.56	LS1C822M2225GBS00000
10000	22X25	2.22	LS1A103M2225GBS00000	25X25	2.84	LS1C103M2525GBS00000
12000	22X25	2.44	LS1A123M2225GBS00000	25X30	3.18	LS1C123M2530GBS00000
15000	22X30	2.90	LS1A153M2230GBS00000	22X40	3.69	LS1C153M2240GBS00000
18000	22X35	3.00	LS1A183M2235GBS00000	22X45	3.98	LS1C183M2245GBS00000
22000	22X40	3.79	LS1A223M2240GBS00000	22X50	4.52	LS1C223M2250GBS00000
27000	22X45	4.04	LS1A273M2245GBS00000	25X45	4.98	LS1C273M2545GBS00000
33000	25X45	4.56	LS1A333M2545GBS00000	25X50	5.45	LS1C333M2550GBS00000
39000	25X50	5.21	LS1A393M2550GBS00000	30X45	6.11	LS1C393M3045GBS00000
47000	30X40	5.78	LS1A473M3040GBS00000	30X50	6.80	LS1C473M3050GBS00000
56000	35X35	6.50	LS1A563M3535GBS00000			
82000	35X50	8.50	LS1A823M3550GBS00000			

	25V (1E)			35V (1V)		
	尺寸 (mm)	纹波电流 (A)	成品料号	尺寸 (mm)	纹波电流 (A)	成品料号
3300				22X25	2.14	LS1V332M2225GBS00000
4700				25X25	2.32	LS1V472M2525GBS00000
5600				30X25	2.80	LS1V562M3025GBS00000
6800	22X30	2.56	LS1E682M2230GBS00000	30X25	3.02	LS1V682M3025GBS00000
8200	30X25	2.99	LS1E822M3025GBS00000	35X25	3.24	LS1V822M3525GBS00000
10000	30X25	3.27	LS1E103M3025GBS00000	35X25	3.47	LS1V103M3525GBS00000
12000	30X30	3.79	LS1E123M3030GBS00000	35X30	3.82	LS1V123M3530GBS00000
15000	22X50	4.21	LS1E153M2250GBS00000	30X45	4.70	LS1V153M3045GBS00000
18000	25X50	4.68	LS1E183M2550GBS00000	30X50	5.30	LS1V183M3050GBS00000
22000	30X40	5.33	LS1E223M3040GBS00000	35X45	6.11	LS1V223M3545GBS00000
27000	30X50	6.02	LS1E273M3050GBS00000	35X50	6.90	LS1V273M3550GBS00000
33000	35X45	6.75	LS1E333M3545GBS00000			
39000	35X50	7.56	LS1E393M3550GBS00000			

额定纹波电流：(85°C, 120Hz)

LS

标称容量、工作电压、外形尺寸对应表

	50V (1H)			63V (1J)		
	尺寸 (mm)	纹波电流 (A)	成品料号	尺寸 (mm)	纹波电流 (A)	成品料号
1500				22X25	1.69	LS1J152M2225GBS00000
1800				22X25	1.90	LS1J182M2225GBS00000
2200	22X25	1.93	LS1H222M2225GBS00000	22X30	2.35	LS1J222M2230GBS00000
2700	22X30	2.21	LS1H272M2230GBS00000	25X30	2.54	LS1J272M2530GBS00000
3300	22X35	2.41	LS1H332M2235GBS00000	22X40	2.72	LS1J332M2240GBS00000
3900	22X40	2.72	LS1H392M2240GBS00000	22X45	3.09	LS1J392M2245GBS00000
4700	22X45	2.88	LS1H472M2245GBS00000	22X50	3.28	LS1J472M2250GBS00000
5600	22X50	3.06	LS1H562M2250GBS00000	25X50	3.86	LS1J562M2550GBS00000
6800	25X45	3.24	LS1H682M2545GBS00000	30X45	4.32	LS1J682M3045GBS00000
8200	25X50	3.48	LS1H822M2550GBS00000	30X50	4.44	LS1J822M3050GBS00000
10000	30X45	3.96	LS1H103M3045GBS00000	30X45	4.77	LS1J103M3045GBS00000
12000	30X50	4.10	LS1H123M3050GBS00000	35X50	5.46	LS1J123M3550GBS00000
15000	35X50	4.80	LS1H153M3550GBS00000			

	80V (1K)			100V (2A)		
	尺寸 (mm)	纹波电流 (A)	成品料号	尺寸 (mm)	纹波电流 (A)	成品料号
680				22X25	1.53	LS2A681M2225GBS00000
1000	22X25	1.56	LS1K102M2225GBS00000	22X30	1.62	LS2A102M2230GBS00000
1500	22X25	1.76	LS1K152M2225GBS00000	25X30	1.86	LS2A152M2530GBS00000
1800	22X30	2.10	LS1K182M2230GBS00000	30X30	2.28	LS2A182M3030GBS00000
2200	25X35	2.58	LS1K222M2535GBS00000	30X35	2.61	LS2A222M3035GBS00000
2700	30X30	2.65	LS1K272M3030GBS00000	35X35	3.18	LS2A272M3535GBS00000
3300	25X45	3.24	LS1K332M2545GBS00000	30X50	3.42	LS2A332M3050GBS00000
3900	25X50	3.40	LS1K392M2550GBS00000	35X40	3.58	LS2A392M3540GBS00000
4700	30X45	3.60	LS1K472M3045GBS00000	35X50	3.72	LS2A472M3550GBS00000
5600	30X50	3.78	LS1K562M3050GBS00000			
6800	35X45	4.60	LS1K682M3545GBS00000			
8200	35X50	4.92	LS1K822M3550GBS00000			

额定纹波电流：(85°C, 120Hz)

LS

标称容量、工作电压、外形尺寸对应表

	160V (2C)			200V (2D)		
	尺寸 (mm)	纹波电流 (A)	成品料号	尺寸 (mm)	纹波电流 (A)	成品料号
220				22X25	0.96	LS2D221M2225GBS00000
270	22X25	1.05	LS2C271M2225GBS00000	25X25	1.16	LS2D271M2525GBS00000
330	22X30	1.28	LS2C331M2230GBS00000	22X30	1.30	LS2D331M2230GBS00000
	25X25	1.29	LS2C331M2525GBS00000	25X25	1.31	LS2D331M2525GBS00000
390	25X30	1.53	LS2C391M2530GBS00000	25X30	1.53	LS2D391M2530GBS00000
	30X25	1.56	LS2C391M3025GBS00000	30X25	1.56	LS2D391M3025GBS00000
470	22X40	1.67	LS2C471M2240GBS00000	22X40	1.70	LS2D471M2240GBS00000
	25X30	1.60	LS2C471M2530GBS00000	25X30	1.68	LS2D471M2530GBS00000
560	22X45	1.95	LS2C561M2245GBS00000	25X35	1.90	LS2D561M2535GBS00000
680	22X50	2.15	LS2C681M2250GBS00000	25X40	2.20	LS2D681M2540GBS00000
820	25X45	2.45	LS2C821M2545GBS00000	25X50	2.55	LS2D821M2550GBS00000
1000	25X50	2.80	LS2C102M2550GBS00000	30X45	2.95	LS2D102M3045GBS00000
1200	30X45	3.10	LS2C122M3045GBS00000	30X50	3.31	LS2D122M3050GBS00000
1500	30X50	3.70	LS2C152M3050GBS00000	35X40	3.70	LS2D152M3540GBS00000
1800	35X45	4.00	LS2C182M3545GBS00000	35X50	4.15	LS2D182M3550GBS00000
2200	35X50	4.50	LS2C222M3550GBS00000			

	250V (2E)			350V (2V)		
	尺寸 (mm)	纹波电流 (A)	成品料号	尺寸 (mm)	纹波电流 (A)	成品料号
100				22X25	0.67	LS2V101M2225GBS00000
120				22X30	0.78	LS2V121M2230GBS00000
150				22X35	0.94	LS2V151M2235GBS00000
180	22X30	0.94	LS2E181M2230GBS00000	25X30	1.06	LS2V181M2530GBS00000
220	25X30	1.17	LS2E221M2530GBS00000	22X45	1.28	LS2V221M2245GBS00000
				25X35	1.24	LS2V221M2535GBS00000
				30X30	1.29	LS2V221M3030GBS00000
270	30X25	1.23	LS2E271M3025GBS00000	22X50	1.48	LS2V271M2250GBS00000
				25X45	1.53	LS2V271M2545GBS00000
				30X35	1.51	LS2V271M3035GBS00000
330	25X35	1.41	LS2E331M2535GBS00000	25X50	1.72	LS2V331M2550GBS00000
	30X30	1.46	LS2E331M3030GBS00000	30X40	1.72	LS2V331M3040GBS00000
390	25X40	1.57	LS2E391M2540GBS00000	30X40	1.85	LS2V391M3040GBS00000
	30X30	1.54	LS2E391M3030GBS00000			
470	25X40	1.80	LS2E471M2540GBS00000	30X45	2.15	LS2V471M3045GBS00000
	30X30	1.76	LS2E471M3030GBS00000			
560	30X35	1.99	LS2E561M3035GBS00000	35X45	2.45	LS2V561M3545GBS00000
680	30X40	2.35	LS2E681M3040GBS00000	35X50	2.75	LS2V681M3550GBS00000
820	30X50	2.70	LS2E821M3050GBS00000			
1000	35X45	3.10	LS2E102M3545GBS00000			
1200	35X50	3.45	LS2E122M3550GBS00000			

额定纹波电流：(85°C, 120Hz)

LS

标称容量、工作电压、外形尺寸对应表

	400V (2G)			450V (2W)		
	尺寸 (mm)	纹波电流 (A)	成品料号	尺寸 (mm)	纹波电流 (A)	成品料号
68	22X25	0.58	LS2G680M2225GBS00000	22X25	0.52	LS2W680M2225GBS00000
82	22X25	0.65	LS2G820M2225GBS00000	22X30	0.62	LS2W820M2230GBS00000
100	25X35	0.71	LS2G101M2535GBS00000	22X35	0.68	LS2W101M2235GBS00000
120	25X30	0.87	LS2G121M2530GBS00000	30X25	0.81	LS2W121M3025GBS00000
150	25X30	1.01	LS2G151M2530GBS00000	30X30	0.99	LS2W151M3030GBS00000
180	30X30	1.21	LS2G181M3030GBS00000	35X25	1.13	LS2W181M3525GBS00000
220	22X50	1.40	LS2G221M2250GBS00000	25X45	1.30	LS2W221M2545GBS00000
	25X40	1.37	LS2G221M2540GBS00000	30X35	1.29	LS2W221M3035GBS00000
	30X35	1.43	LS2G221M3035GBS00000	35X25	1.24	LS2W221M3525GBS00000
270	25X45	1.64	LS2G271M2545GBS00000	25X50	1.54	LS2W271M2550GBS00000
	30X40	1.71	LS2G271M3040GBS00000	30X40	1.54	LS2W271M3040GBS00000
	35X30	1.67	LS2G271M3530GBS00000	35X30	1.50	LS2W271M3530GBS00000
330	25X50	1.80	LS2G331M2550GBS00000	30X45	1.70	LS2W331M3045GBS00000
	30X40	1.79	LS2G331M3040GBS00000	35X35	1.68	LS2W331M3535GBS00000
390	30X50	1.96	LS2G391M3050GBS00000	35X40	1.85	LS2W391M3540GBS00000
470	35X40	2.24	LS2G471M3540GBS00000	35X50	2.15	LS2W471M3550GBS00000
560	35X45	2.57	LS2G561M3545GBS00000			
680	35X50	2.85	LS2G681M3550GBS00000			

额定纹波电流：(85°C, 120Hz)