

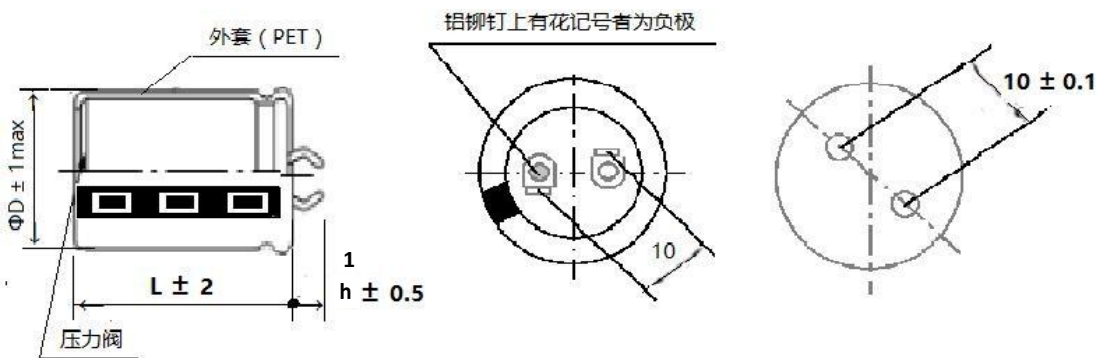
LP

- 耐高纹波，较长寿命产品
- 105°C 3000 小时寿命
- 符合 RoHS

主要技术性能

使用温度范围	-40+105°C					-25+105°C					
工作电压范围	10-100V. DC					160-450V. DC					
标称容量允许偏差	±20% (120Hz, 20°C)										
漏电流	$I \leq 3\sqrt{CV} \mu A$ (2 分钟)										
损耗角正切值 (120Hz, 20°C)	WV	10	16	25	35	50	63	80	100	160-400	450
	tg δ	0.55	0.50	0.45	0.40	0.35	0.30	0.25	0.20	0.15	0.20
低温特性 (120Hz)	WV	10-100	160-250	300-400	450						
	$Z_{-25^\circ C} / Z_{+20^\circ C}$	4	3	5	8						
	$Z_{-40^\circ C} / Z_{+20^\circ C}$	15	/	/	/						
耐久性	在+105°C环境中，施加带纹波电流的工作电压 3000 小时，恢复 16 小时后，产品性能符合以下要求：										
	电容量变化率	≤ ±20%初始测量值									
	损耗角正切值	≤ 2 倍规定值									
高温贮存	在+105°C环境中，放置 1000 小时，恢复 16 小时后，产品性能符合以下要求：										
	电容量变化率	≤ ±20%初始测量值									
	漏电流值	≤ 2 倍规定值									

外形图及尺寸



纹波电流频率修正系数

工作电压	频率 (Hz)			
	50	120	1K	≥10K
10-100V	0.90	1.00	1.15	1.25
160-250V	0.80	1.00	1.25	1.47
315-450V	0.80	1.00	1.30	1.47

LP

标称容量、工作电压、外形尺寸对应表

	10V (1A)			16V (1C)		
	尺寸 (mm)	纹波电流 (A)	成品料号	尺寸 (mm)	纹波电流 (A)	成品料号
6800				22X25	1.75	LP1C682M2225GBH00000
8200				22X30	2.00	LP1C822M2230GBH00000
10000	22X25	1.77	LP1A103M2225GBH00000	25X25	2.05	LP1C103M2525GBH00000
12000	22X30	1.94	LP1A123M2230GBH00000	22X35	2.31	LP1C123M2235GBH00000
	25X25	2.10	LP1A123M2525GBH00000	30X25	2.30	LP1C123M3025GBH00000
15000	25X30	2.10	LP1A153M2530GBH00000	30X30	2.57	LP1C153M3030GBH00000
18000	22X40	2.41	LP1A183M2240GBH00000	25X40	3.16	LP1C183M2540GBH00000
22000	22X45	2.58	LP1A223M2245GBH00000	25X45	3.36	LP1C223M2545GBH00000
27000	25X40	3.07	LP1A273M2540GBH00000	25X50	3.85	LP1C273M2550GBH00000
33000	25X45	3.39	LP1A333M2545GBH00000	30X45	4.30	LP1C333M3045GBH00000
39000	30X40	3.70	LP1A393M3040GBH00000	30X50	4.81	LP1C393M3050GBH00000
47000	30X45	4.22	LP1A473M3045GBH00000	35X45	5.53	LP1C473M3545GBH00000
56000	35X45	5.00	LP1A563M3545GBH00000			

	25V (1E)			35V (1V)		
	尺寸 (mm)	纹波电流 (A)	成品料号	尺寸 (mm)	纹波电流 (A)	成品料号
3300				22X25	1.45	LP1V332M2225GBH00000
3900				22X30	1.69	LP1V392M2230GBH00000
4700	22X25	1.61	LP1E472M2225GBH00000	22X35	2.02	LP1V472M2235GBH00000
5600	22X30	1.80	LP1E562M2230GBH00000	22X35	2.13	LP1V562M2235GBH00000
6800	25X25	1.87	LP1E682M2525GBH00000	25X35	2.31	LP1V682M2535GBH00000
8200	25X30	2.34	LP1E822M2530GBH00000	30X30	2.75	LP1V822M3030GBH00000
10000	30X30	2.61	LP1E103M3030GBH00000	35X30	3.26	LP1V103M3530GBH00000
12000	22X50	2.80	LP1E123M2250GBH00000	30X45	3.49	LP1V123M3045GBH00000
	30X30	2.74	LP1E123M3030GBH00000	35X35	3.40	LP1V123M3535GBH00000
15000	35X30	3.26	LP1E153M3530GBH00000	35X40	3.84	LP1V153M3540GBH00000
18000	30X40	3.56	LP1E183M3040GBH00000	35X45	4.37	LP1V183M3545GBH00000
22000	30X45	4.04	LP1E223M3045GBH00000			
27000	35X45	4.74	LP1E273M3545GBH00000			
33000	35X50	5.50	LP1E333M3550GBH00000			

额定纹波电流：(105°C, 120Hz)

LP

标称容量、工作电压、外形尺寸对应表

	50V (1H)			63V (1J)		
	尺寸 (mm)	纹波电流 (A)	成品料号	尺寸 (mm)	纹波电流 (A)	成品料号
1200				22X25	1.20	LP1J122M2225GBH00000
1500				22X30	1.47	LP1J152M2230GBH00000
1800	22X25	1.34	LP1H182M2225GBH00000	25X25	1.52	LP1J182M2525GBH00000
2200	22X30	1.60	LP1H222M2230GBH00000	25X30	1.75	LP1J222M2530GBH00000
2700	22X30	1.70	LP1H272M2230GBH00000	25X35	2.11	LP1J272M2535GBH00000
	25X25	1.71	LP1H272M2525GBH00000	30X25	2.02	LP1J272M3025GBH00000
3300	22X35	1.97	LP1H332M2235GBH00000	25X35	2.27	LP1J332M2535GBH00000
	25X30	1.88	LP1H332M2530GBH00000	30X30	2.24	LP1J332M3030GBH00000
3900	22X40	2.22	LP1H392M2240GBH00000	25X40	2.51	LP1J392M2540GBH00000
	25X30	2.20	LP1H392M2530GBH00000	30X35	2.55	LP1J392M3035GBH00000
4700	22X45	2.43	LP1H472M2245GBH00000	25X50	2.97	LP1J472M2550GBH00000
5600	22X50	2.75	LP1H562M2250GBH00000	30X45	3.22	LP1J562M3045GBH00000
6800	25X45	2.30	LP1H682M2545GBH00000	30X50	3.65	LP1J682M3050GBH00000
8200	30X40	3.60	LP1H822M3040GBH00000	35X45	4.04	LP1J822M3545GBH00000
10000	30X50	4.05	LP1H103M3050GBH00000	35X50	4.48	LP1J103M3550GBH00000
12000	35X50	4.56	LP1H123M3550GBH00000			

	80V (1K)			100V (2A)		
	尺寸 (mm)	纹波电流 (A)	成品料号	尺寸 (mm)	纹波电流 (A)	成品料号
680				22X25	1.09	LP2A681M2225GBH00000
820				22X30	1.32	LP2A821M2230GBH00000
1000	22X25	1.19	LP1K102M2225GBH00000	22X30	1.47	LP2A102M2230GBH00000
1200	22X30	1.44	LP1K122M2230GBH00000	25X30	1.68	LP2A122M2530GBH00000
1500	25X25	1.60	LP1K152M2525GBH00000	30X25	1.95	LP2A152M3025GBH00000
1800	25X30	1.71	LP1K182M2530GBH00000	30X30	2.20	LP2A182M3030GBH00000
2200	30X25	1.98	LP1K222M3025GBH00000	35X30	2.50	LP2A222M3530GBH00000
2700	25X40	2.35	LP1K272M2540GBH00000	30X40	2.86	LP2A272M3040GBH00000
	30X30	2.35	LP1K272M3030GBH00000	35X35	2.89	LP2A272M3535GBH00000
3300	30X35	2.47	LP1K332M3035GBH00000	30X45	3.30	LP2A332M3045GBH00000
	35X30	2.61	LP1K332M3530GBH00000	35X35	3.25	LP2A332M3535GBH00000
3900	25X50	2.92	LP1K392M2550GBH00000	30X50	3.60	LP2A392M3050GBH00000
	30X40	2.82	LP1K392M3040GBH00000	35X40	3.67	LP2A392M3540GBH00000
4700	30X45	3.34	LP1K472M3045GBH00000	35X45	3.80	LP2A472M3545GBH00000
5600	30X50	3.80	LP1K562M3050GBH00000	35X50	4.05	LP2A562M3550GBH00000
6800	35X50	4.00	LP1K682M3550GBH00000			

额定纹波电流：(105°C, 120Hz)

LP

标称容量、工作电压、外形尺寸对应表

	160V (2C)			200V (2D)		
	尺寸 (mm)	纹波电流 (A)	成品料号	尺寸 (mm)	纹波电流 (A)	成品料号
220				22X25	0.92	LP2D221M2225GBH00000
270	22X25	0.91	LP2C271M2225GBH00000	25X25	0.97	LP2D271M2525GBH00000
330	22X30	1.10	LP2C331M2230GBH00000	22X35	1.15	LP2D331M2235GBH00000
	25X25	1.11	LP2C331M2525GBH00000	25X25	1.09	LP2D331M2525GBH00000
470	22X40	1.40	LP2C471M2240GBH00000	25X35	1.50	LP2D471M2535GBH00000
	25X35	1.43	LP2C471M2535GBH00000	30X25	1.44	LP2D471M3025GBH00000
560	22X45	1.48	LP2C561M2245GBH00000	25X35	1.53	LP2D561M2535GBH00000
680	22X50	1.65	LP2C681M2250GBH00000	25X45	1.77	LP2D681M2545GBH00000
	25X40	1.62	LP2C681M2540GBH00000	30X35	1.75	LP2D681M3035GBH00000
820	25X45	1.85	LP2C821M2545GBH00000	30X40	2.00	LP2D821M3040GBH00000
1000	25X50	2.10	LP2C102M2550GBH00000	30X45	2.27	LP2D102M3045GBH00000
1500	30X50	2.70	LP2C152M3050GBH00000	35X45	2.83	LP2D152M3545GBH00000
1800	35X45	3.06	LP2C182M3545GBH00000	35X50	3.38	LP2D182M3550GBH00000
2200	35X50	3.38	LP2C222M3550GBH00000	35X60	3.74	LP2D222M3560GBH00000

	250V (2E)			350V (2V)		
	尺寸 (mm)	纹波电流 (A)	成品料号	尺寸 (mm)	纹波电流 (A)	成品料号
82				22X25	0.52	LP2V820M2225GBH00000
100				22X30	0.56	LP2V101M2230GBH00000
120	22X25	0.58	LP2E121M2225GBH00000			
150	22X30	0.65	LP2E151M2230GBH00000	22X40	0.76	LP2V151M2240GBH00000
				25X30	0.73	LP2V151M2530GBH00000
180	22X30	0.76	LP2E181M2230GBH00000	22X45	0.79	LP2V181M2245GBH00000
				25X35	0.77	LP2V181M2535GBH00000
				30X25	0.74	LP2V181M3025GBH00000
220	25X30	0.94	LP2E221M2530GBH00000	22X50	0.98	LP2V221M2250GBH00000
				25X40	0.96	LP2V221M2540GBH00000
				30X30	0.94	LP2V221M3030GBH00000
270	30X25	1.06	LP2E271M3025GBH00000			
330	25X35	1.15	LP2E331M2535GBH00000	30X45	1.24	LP2V331M3045GBH00000
	30X30	1.18	LP2E331M3030GBH00000	35X35	1.22	LP2V331M3535GBH00000
470	30X35	1.46	LP2E471M3035GBH00000	30X50	1.57	LP2V471M3050GBH00000
	35X30	1.50	LP2E471M3530GBH00000			
560	30X40	1.70	LP2E561M3040GBH00000	35X45	1.75	LP2V561M3545GBH00000
680	30X45	1.89	LP2E681M3045GBH00000	35X50	1.96	LP2V681M3550GBH00000
	35X35	1.86	LP2E681M3535GBH00000			
820	35X40	2.04	LP2E821M3540GBH00000	35X60	2.15	LP2V821M3560GBH00000
1000	35X50	2.28	LP2E102M3550GBH00000			
1500	35X55	2.90	LP2E152M3555GBH00000			
1800	35X60	3.30	LP2E182M3560GBH00000			

额定纹波电流：(105°C, 120Hz)

LP

标称容量、工作电压、外形尺寸对应表

	400V (2G)			450V (2W)		
	尺寸 (mm)	纹波电流 (A)	成品料号	尺寸 (mm)	纹波电流 (A)	成品料号
56				22X25	0.42	LP2W560M2225GBH00000
68	22X25	0.49	LP2G680M2225GBH00000	25X25	0.50	LP2W680M2525GBH00000
82	25X25	0.59	LP2G820M2525GBH00000	25X30	0.60	LP2W820M2530GBH00000
100	25X25	0.64	LP2G101M2525GBH00000	30X25	0.64	LP2W101M3025GBH00000
150	25X35	0.81	LP2G151M2535GBH00000	25X40	0.81	LP2W151M2540GBH00000
	30X25	0.78	LP2G151M3025GBH00000	30X30	0.79	LP2W151M3030GBH00000
180	22X50	0.89	LP2G181M2250GBH00000	25X45	0.92	LP2W181M2545GBH00000
	25X40	0.87	LP2G181M2540GBH00000	30X35	0.90	LP2W181M3035GBH00000
	30X30	0.85	LP2G181M3030GBH00000	35X30	0.90	LP2W181M3530GBH00000
220	25X45	1.04	LP2G221M2545GBH00000	25X50	1.04	LP2W221M2550GBH00000
	30X35	1.02	LP2G221M3035GBH00000	30X40	1.04	LP2W221M3040GBH00000
	35X25	1.00	LP2G221M3525GBH00000	35X30	1.01	LP2W221M3530GBH00000
330	30X45	1.31	LP2G331M3045GBH00000	30X50	1.38	LP2W331M3050GBH00000
	35X35	1.29	LP2G331M3535GBH00000	35X40	1.37	LP2W331M3540GBH00000
390	30X50	1.45	LP2G391M3050GBH00000	35X45	1.58	LP2W391M3545GBH00000
470	35X45	1.64	LP2G471M3545GBH00000	35X50	1.76	LP2W471M3550GBH00000
560	35X50	1.88	LP2G561M3550GBH00000	35X60	1.92	LP2W561M3560GBH00000
680	35X60	2.12	LP2G681M3560GBH00000			

额定纹波电流：(105°C, 120Hz)